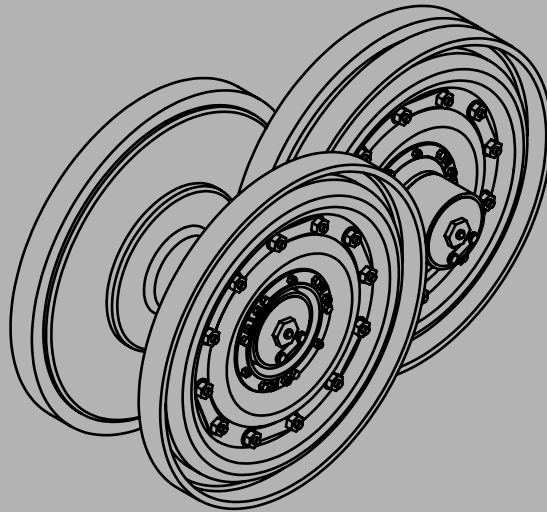


WECOHE

Assembly Instructions for the Tamiya 1/16 Scale Tiger I late wheels drive



***Read these instructions carefully and review the drawings before
you start the assembly!***

The manufacturer doesn't take any responsibilities neither of any damages or malfunctions that might cause by modifying original parts nor that might cause by using this product.

WECOHE
Assembly Instructions for Tamiya 1/16 Scale Tiger I late wheels drive

General Instructions

You need to have the following tools at hand:

- small metal saw
- small file and sanding paper (400/120)

Note: All measurements are specified in millimeters!
25.4mm = 1" inch

Some waste plugs and burr need to be removed, using a file or sanding paper, before commencing assembly. Always test the fitting of the parts prior to use.

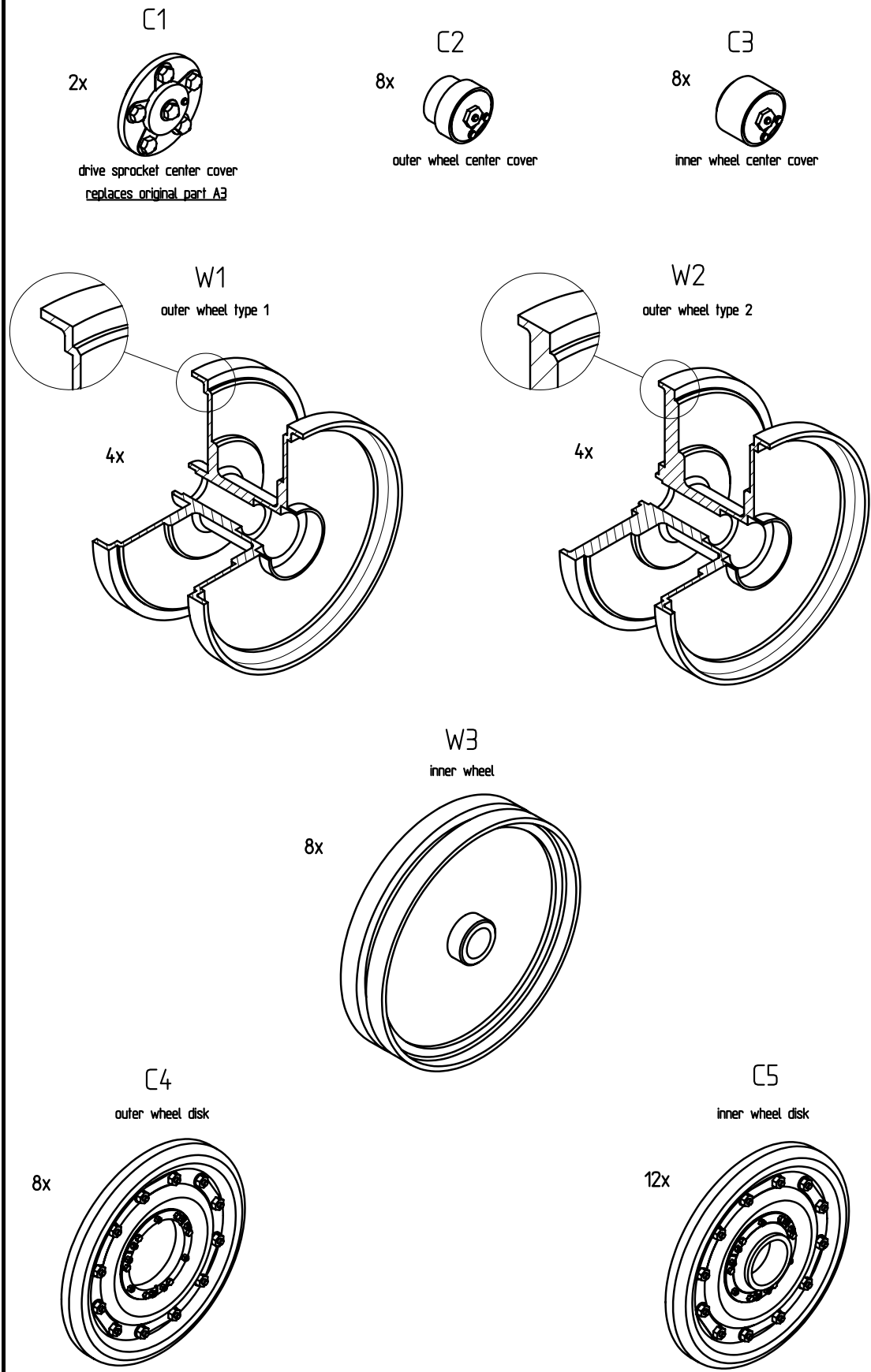
The metal parts could be processed using glue (cyanoacrylat).

The parts included in this kit replaces the original wheel parts. Only the axels and the bearings of the original kit are needed as shown below.

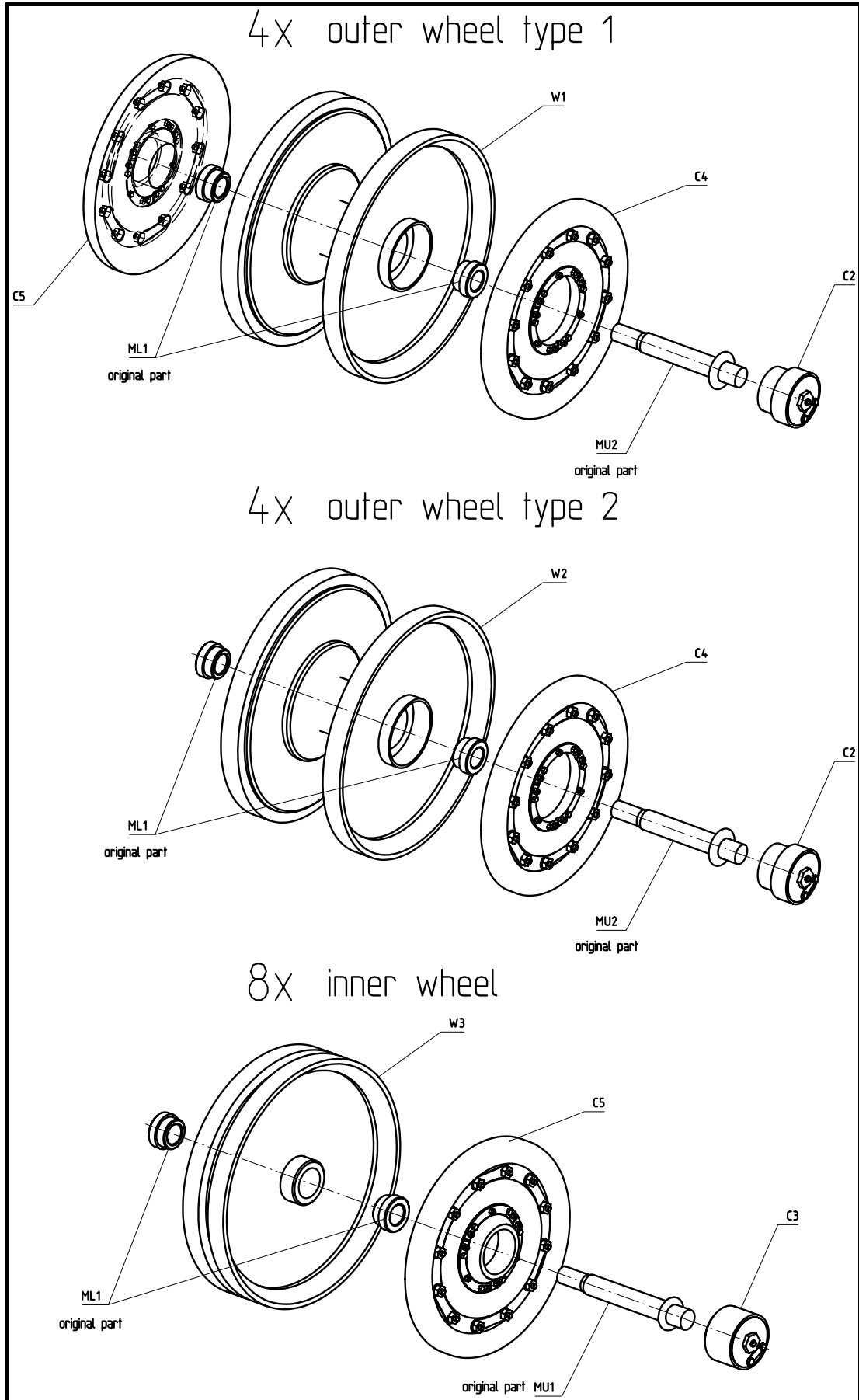
WECOHE
Assembly Instructions for Tamiya 1/16 Scale Tiger I late wheels drive

Step 1

Parts overview



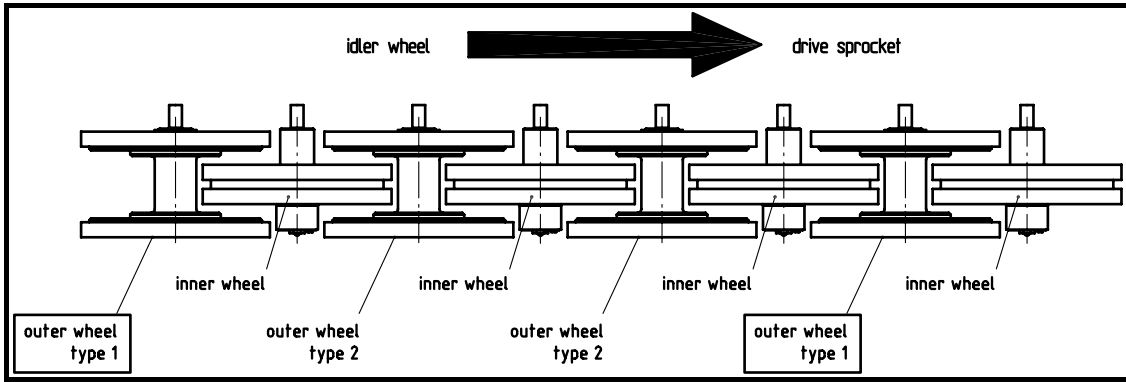
Step 2



WECOHE

Assembly Instructions for Tamiya 1/16 Scale Tiger I late wheels drive

Step 3



Thank you for your purchase of our products and Happy Tanking!

The WECOHE - Team

www.wecohe.com